



ONE QUICK MILK

MEDIUM TO HIGH VOLUME SUPER AUTOMATIC ESPRESSO MACHINE WITH QUICK MILK FRIDGE



ESPRESSO MACHINE SPECIFICATIONS

High volume fully automatic espresso machine with touchscreen user interface and stainless steel 18-gram patented brew group. Includes dual grinders made by Ditting™. Machine is made of stainless steel and ABS plastic and features an easy 3-step automatic daily cleaning program. Includes a hot water outlet which delivers hot water for different products at different temperatures. The ONE features the most durable brewing technology available in its class of equipment. The patented stainless steel brewing group features advanced sealing technology which requires less maintenance visits and reduces the cost of ownership. Make Cappuccinos and Lattes with the push of one button. Milk is siphoned from the one gallon refrigerator on the side

5.7" FULL TOUCHSCREEN DISPLAY



ESPRESSO MACHINE DATA SPECIFICATIONS

- Weight: 126 lbs (machine) 30 lbs (fridge)
- Power Supply: 208 - 220 V (machine) 110v (fridge)
- Power Rating: 6700 W (machine) 86 W (fridge)

ESPRESSO MACHINE STANDARD FEATURES

- Standard 5.7" touchscreen graphic display in full color user interface enables up to 48 drink selections
- Single milk pump system
- Quick Milk fridge 1-gallon countertop fridge with top or side access holes for milk delivery hoses. Milk is siphoned directly from the milk container.
- Centralized hot water
- Americano bypass enables machine to deliver authentic Americanos into a single cup
- Lowest cost of ownership of any fully automatic with milk
- Premium espresso brewing
- Stainless steel 18-gram patented brewing technology
- Dual grinders by Ditting™
- Made of stainless steel and ABS plastic
- Single component two-piece dispensing outlet for easy cleaning
- Daily milk cleaning cycle only requires operator to add detergent
- 2-year parts warranty

ESPRESSO MACHINE OPTIONS

- Keypad User Interface:** Simple 10-button keypad (16 products with shift option)
- Multi-Drink SW Touchscreen:** Industrial color touchscreen with a create-a-drink software features over 1000 drink possibilities (Self-adjusting grinder, Automatic spout, and Cold foam not available with Multi-Drink Software)
- iSteam:** Intelligent steam wand automatically froths and steams milk; shuts off at programmed temperature
- Self-adjusting Grinder:** Automatically adjusts the coffee grind size to compensate for environmental changes
- Automatic Spout:** Automatically adjusts the delivery spout to the correct cup size
- Under Counter Grounds Chute:** chute that diverts ground coffee to under the counter waste container; not available when an under the counter fridge is installed directly under the machine
- External Hot Water Outlet:** Hot water delivered through a separate outlet to the right of the drink spout
- Extension Card:** Required for self-adjusting grinder, automatic spout or cold foam (Only 1 card is needed when purchasing options together)
- Locks Package:** Locks for hopper, grounds drawer, and fridge
- Powder Module:** Enables machine to deliver up to two types of powder, for example, chocolate for mochas and hot chocolate

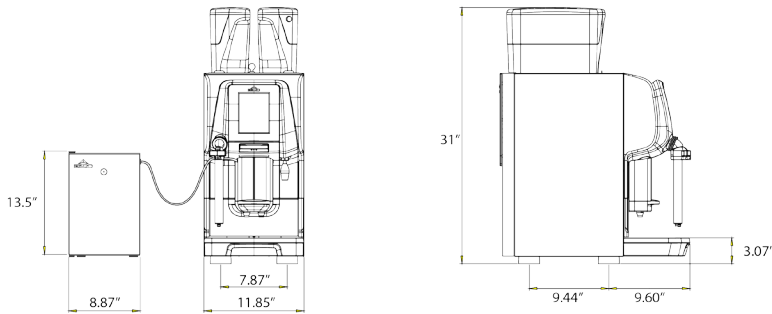
ESPRESSO MACHINE STANDARD ACCESSORIES

- Plastic grounds bin container
- One month supply of daily cleaning products
- Milk container
- Container for daily cleaning
- User manual
- Foot extensions



ONE QUICK MILK

MEDIUM TO HIGH VOLUME SUPER AUTOMATIC ESPRESSO MACHINE WITH QUICK MILK FRIDGE



SPACE REQUIREMENTS

Allow 1.5" of clearance on all sides of the machine.
 Allow space to fill bean hoppers from the top 4" minimum 12" preferred.
 Allow 24" x 5" of space for in-line filter. Filter can be mounted behind the machine or under the counter.

SERVICE CONNECTIONS

ELECTRICAL CONNECTIONS:

Espresso Machine

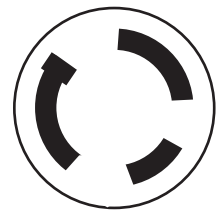
Voltage Range: 208 - 220 V

Watts: 6700

Circuit Size: 30 Amps

Suggested Receptacle: NEMA L6-30R

Suggested Receptacle for Espresso Machine



NEMA L6-30R

Quick Milk Fridge

Voltage: 110 V

Watts: 86

Circuit Size: 15 Amps

Suggested Receptacle: 5-15R GFI

PLEASE NOTE: Egro coffee machines do not use a neutral line. A dedicated ground wire is required.

Power can be installed under or above the counter. Please allow 3.5" - 4" of space for the plug, especially when placing power above the counter and behind the machine.

WATER CONNECTION:

Dedicated cold water access line with standard female 3/8" NPT fitting and manual shut-off valve within 4' of the machine.

DRAIN REQUIREMENTS:

Open gravity drain with minimum 2" I.D. within 4' of the machine.

WATER QUALITY STATEMENT:

The fact that water is potable is no guarantee that it is suitable for espresso machines. Your water supply must be within these general guidelines:

SUPPLY PRESSURE: 30-70 psi

HARDNESS: 2-4 GPG*

*17.1 ppm = 1 grain of hardness

Water entering the espresso machine should have a water hardness level of 2-3 GPG at all times. If the water supply is not within this range, a dedicated water softener is required for the espresso machine to operate correctly over time.

TOTAL COUNTERTOP REQUIREMENTS

Width: 21" **Depth:** 23" **Height:** 31" **Weight:** 156 lbs

SHIPPING DIMENSIONS AND WEIGHT

Length: 36" **Width:** 36" **Height:** 32" **Weight:** 222 lbs

QUICK MILK FRIDGE SPECIFICATIONS

The Quick Milk Fridge is the perfect companion to the EGRO ONE. It keeps milk at the ideal temperature and features smaller dimensions, but makes a great aesthetic impact. Its housing is made from lightweight yet hard wearing materials, the stainless steel door has a brushed finish, and its holds 1 gallon of milk.

QUICK MILK FRIDGE

